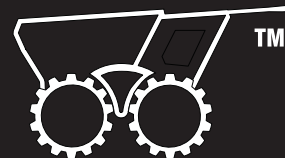


muck-truck



It doesn't cost the earth to move it!

Muck-Truck Mk IV Dumper MAX Mk II Dumper

Owner, Operation, Accessories & Parts Manual

Models

Muck-Truck Mk IV Dumper

MAX Mk II Dumper

Starting with Serial Number 101

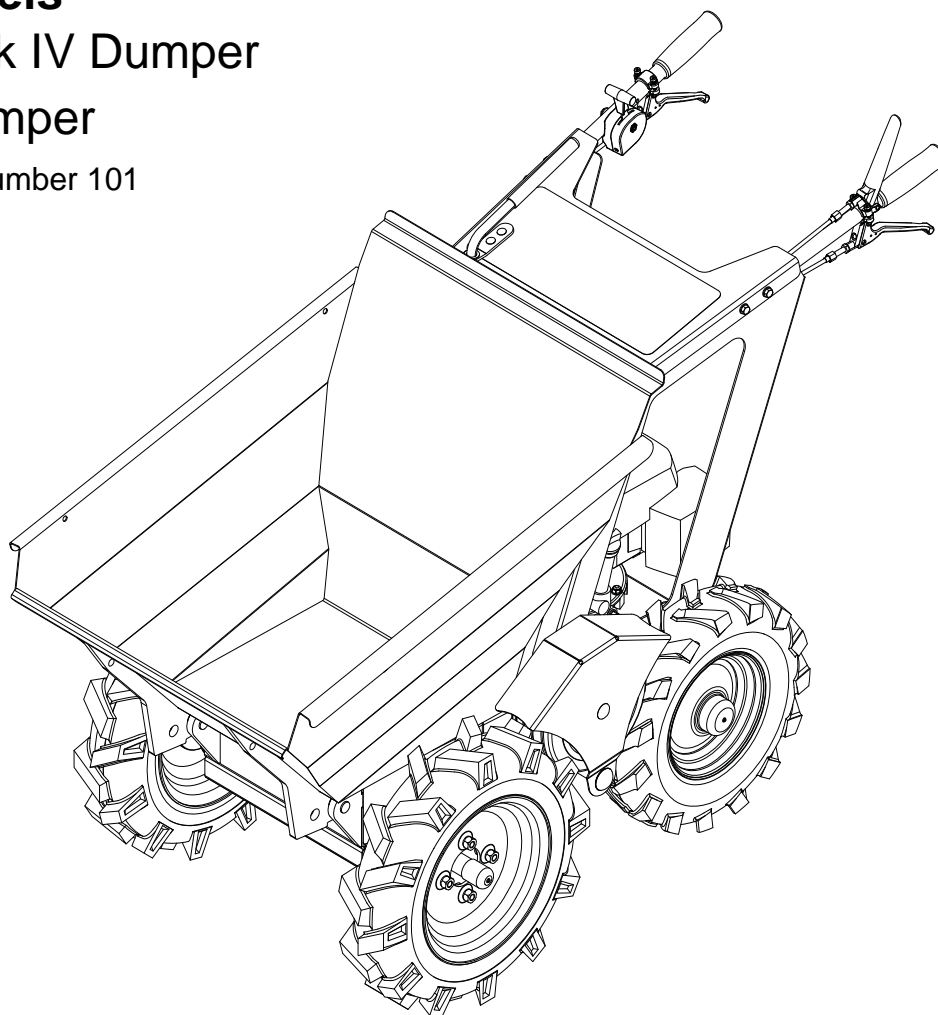


TABLE OF CONTENTS

ASSEMBLY	3	SERVICE AND ADJUSTMENTS.....	9
SAFETY	4	PARTS LIST	12
CONTROLS AND FEATURES	5	ACCESSORIES.....	18
OPERATION	6	WARRANTY	28
MAINTENANCE	8		

INTRODUCTION

THE MANUAL

Before using the unit, carefully and completely read your manual. The contents will give you an understanding of safety instructions and controls during normal operation and maintenance.

All reference to left, right, front, or rear are given from the operator's position, facing the direction of forward travel.

ENGINE MANUAL

The engine on this unit is covered by a separate manual specific to the engine. This manual is included in the literature package that shipped with the unit. Refer to this manual for engine service recommendations. If the engine manual is not available, contact the engine manufacturer for a replacement manual.

PURCHASE INFORMATION

Please record the following information about your unit and have it available before contacting us.

Serial Number:

Dealer/Distributor's Name:

Date of Purchase:

Year of Manufacture:

DECLARATION OF CONFORMITY

The undersigned of Niche Product Sales LLC declare that the Pedestrian Dumper Trucks:

Category: Gasoline 4-Stroke Pedestrian Dumper

Model: Muck-Truck Mk IV Dumper / MAX Mk II Dumper

Conform with the essential Health and Safety requirements of the EEC Directive.

98/37/EC (Edition L 207)

Previously 89/392/EEC – 93/94/EEC Amendment

Basic Noise Emission Standard – EN ISO 3744 – dB 97 Lwa

H.A.V.s

Machinery Directive 89/392/EEC

The supply of (Safety) regulations 1992 (as amended: 1994), for conformity in an EU market

Left Hand

Idle : 2.79 m/s²

Racing : 4.95 m/s²

Right Hand

Idle : 3.10 m/s²

Racing : 5.86 m/s²

Specified testing unit to: ISO 8041, ISO 5349 and BS 6842

Place: 586 Mercantile Place

Port St. Lucie, Florida 34986 USA

Name and signature of Technical Manager of Niche Product Sales LLC.



Terry Rowlands

ASSEMBLY

Remove From Crate

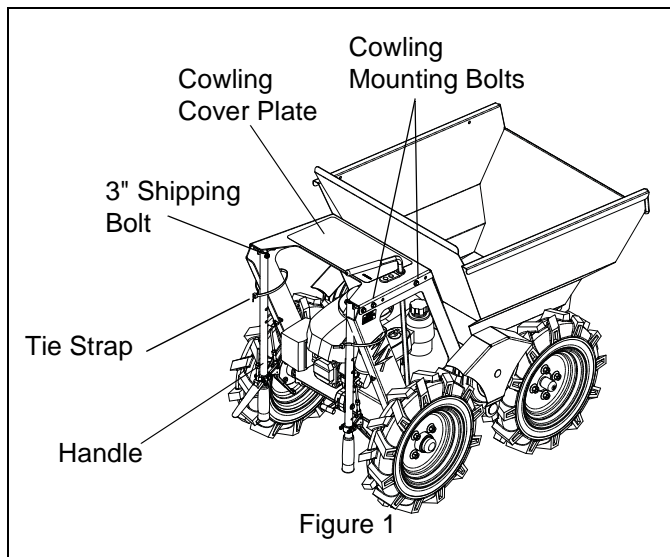
1. Remove crate top and sides.
2. Remove protective plastic covering.
3. Remove 5/16 x 2" hex bolts from Manual Package.
4. Cut and remove four plastic shipping bands from axles.

Unit can remain on crate base during handle installation.

Install Handles

Handles are shipped in downward position (see Figure 1) with all levers and cables correctly positioned.

NOTE: MAX Mk II handles can be mounted in two positions depending on the desired handle length. Ensure that both sides are mounted at the same length. Muck-Truck Mk IV handles have one mounting location.



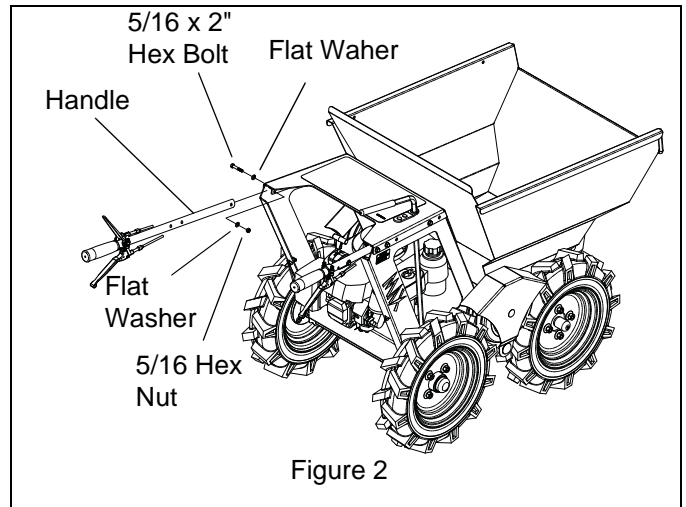
NOTE: Install handles one side at a time.

Figure 1

1. Cut tie-straps retaining handles.
2. Remove two 5/16 x 2" hex bolts, nuts and washers securing one side of cowling cover plate. Retain all hardware.
3. Remove 5/16 x 3" shipping hex bolt securing handle to unit. Retain nut and washers; discard 3" hex bolt.

Figure 2

4. Align handle with the holes in the cowling cover and attach with two 5/16 x 2" bolts, washers and 5/16" lock nuts removed earlier.



5. Insert 5/16 x 2" hex bolt from Manual Package into remaining hole and secure with washers and nut removed from shipping bolt.
 6. Tighten hardware securely.
 7. Repeat steps 2 – 6 for remaining side.
- IMPORTANT:** Ensure that MAX Mk II handles are mounted at the same length.
8. Remove unit from crate base.

SAFETY



SAFETY ALERT SYMBOL

These are safety alert symbols. They mean:

- **ATTENTION!**
- **YOUR SAFETY IS INVOLVED!**
- **BECOME ALERT!**
- **OBEY THE MESSAGE!**



SIGNAL WORDS

The safety alert symbols above and signal words below are used in this manual.

Read and understand all safety messages.



DANGER: IMMINENTLY HAZARDOUS SITUATION! If not avoided, WILL RESULT in death or serious injury.



WARNING: POTENTIALLY HAZARDOUS SITUATION! If not avoided, COULD RESULT in death or serious injury.



CAUTION: POTENTIALLY HAZARDOUS SITUATION! If not avoided, MAY RESULT in minor or moderate injury. It may also be used to alert against unsafe practices.

SAFETY RULES

Read, understand, and follow all safety practices in Owner/Operator Manual before use. Failure to follow instructions could result in personal injury and/or damage to unit.

Complete a walk around inspection of unit and work area to understand:

- Work area
- Your unit
- All operational decals

Inspect unit before each use for: missing or damaged decals and shields. Replace or repair as needed.

Keep children out of work area and under watchful care of a responsible adult.

Check for weak spots on docks, ramps or floors. Avoid uneven work areas and rough terrain. Stay alert for hidden hazards or traffic.

DO NOT operate near drop-offs, ditches, or embankments. Unit can suddenly turn over if wheels move over the edge of a cliff or ditch, or if an edge caves in.

Keep engine and exhaust clean and free of accumulated

Read the entire Owner/Operator manual. If the operator or the mechanic cannot read the manual, it is the owner's responsibility to explain it to them. Only the user can prevent and is responsible for accidents or injuries occurring to themselves, other people or property.

Only trained adults may operate or service unit. Training includes actual operation.

NEVER operate unit after or during the use of medication, drugs or alcohol. Safe operation requires your complete and unimpaired attention at all times.

Wear adequate safety gear, protective gloves and footwear.

NEVER place your hands or any part of your body or clothing inside or near any moving part while unit is running.

DO NOT touch parts which are hot. Allow parts to cool.

ALWAYS keep hands and feet away from all pinch points.

Read, understand, and follow all instructions in the manual and on the machine before starting.

Understand:

- How to operate all controls
- The functions of all controls
- How to STOP in an Emergency
- Braking and turning characteristics

Keep safety devices or guards in place and functioning properly. NEVER modify or remove safety devices.

Never carry passengers.

Use only attachments and accessories designed for your unit.

Know the weight of loads. Do not exceed maximum capacity of unit.

Use caution when backing up. ALWAYS back up slowly. Always look down and behind before and while backing.

Check all hardware at regular intervals. Keep all nuts, bolts, and wheel lug nuts properly tightened.

Disengage unit drive by releasing clutch lever before changing gears.

Never leave a running unit unattended. ALWAYS shut off engine before leaving unit.

This product is equipped with an internal combustion type engine. DO NOT use unit on or near any unimproved, forest-covered or brush covered land unless exhaust system is equipped with a spark arrester meeting applicable local, state or federal laws. A spark arrester, if used, must be maintained in effective working order.

Fumes from engine exhaust can cause injury or death. Ensure proper ventilation. Do not run engine in a confined area.

dirt, grease, oil of other flammable material.

Do not use a pressure washer directly on engine electronics.

Fuel is highly flammable and its vapors are explosive. Handle with care. Use an approved fuel container.

NO smoking, NO sparks, NO flames. NEVER fill fuel tank when engine is running or hot from operation, or if an open flame or cigarette is present.

NEVER fill or drain fuel tank indoors.

Replace fuel cap securely and clean up spilled fuel.

Never fill containers inside a vehicle or on a truck or trailer bed with a plastic liner. Always place containers on the ground away from vehicle before filling.

Keep fuel nozzle in contact with the rim of the fuel tank or container opening at all times until fueling is complete. Do not use a nozzle lock-open device.

If fuel is spilled on clothing, change clothing immediately.

DO NOT change engine governor settings or over-speed engine.

A damaged or worn out muffler can cause fire or explosion. Replace with manufacturer-recommend parts.

NEVER store unit with fuel in fuel tank, inside a building where any ignition sources are present such as hot water heaters, space heaters, or clothes dryers. Allow the engine to cool before storing in any enclosure.

CONTROLS AND FEATURES

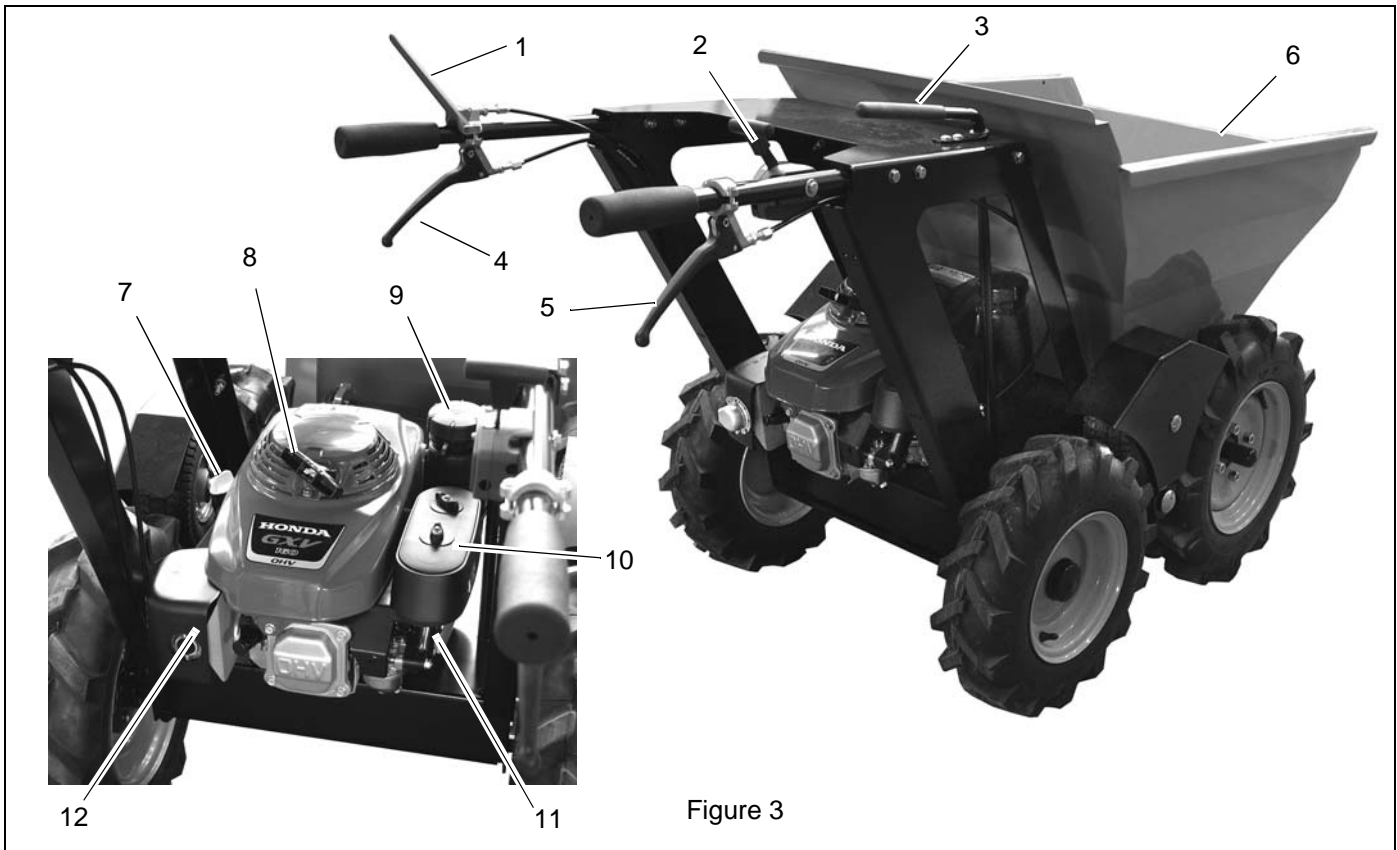


Figure 3

- | | |
|---|---|
| <ul style="list-style-type: none"> 1. Parking Brake Lever 2. Throttle Lever 3. Gear Selection Lever 4. Clutch Lever 5. Skip Release Lever 6. Skip | <ul style="list-style-type: none"> 7. Oil Level Dipstick/Fill 8. Recoil Starter Handle 9. Fuel Tank/Cap 10. Air Cleaner 11. Fuel Shut-off Valve 12. Muffler |
|---|---|

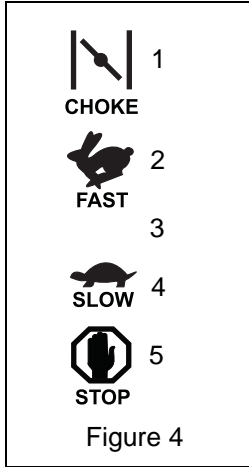
OPERATION

CONTROLS AND FEATURES

See *CONTROLS AND FEATURES* on page 5.

Throttle Lever

(Figure 4)



The throttle lever controls the choke position and the engine speed. To choke the engine for startup adjust to:

1. CHOKE (startup)

To increase or decrease the engine speed, adjust to:

2. FAST

3. Part-Throttle

4. SLOW

To stop the engine, adjust to

5. STOP (engine is off)

Figure 4

Parking Brake Lever

(Figure 5)

Engage the parking brake by releasing the lever when not traveling with the unit or while emptying the skip. The parking brake lever must be disengaged (pressed down against handlebar) any time that the unit is in motion.

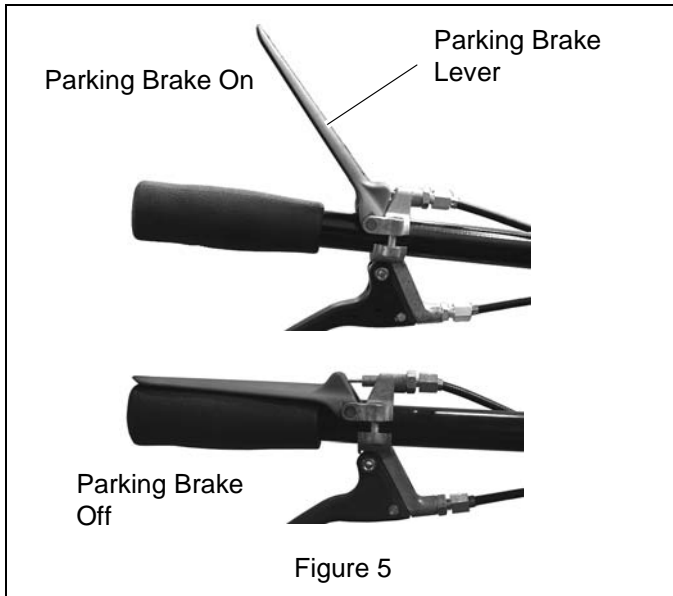
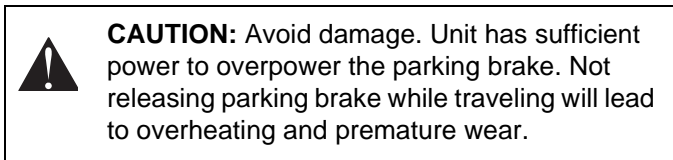


Figure 5

Clutch Lever

(Figure 6)

With a forward or reverse gear selected, gently engage (squeeze) the clutch lever to move the unit forward or backward. Release the clutch lever to stop motion.

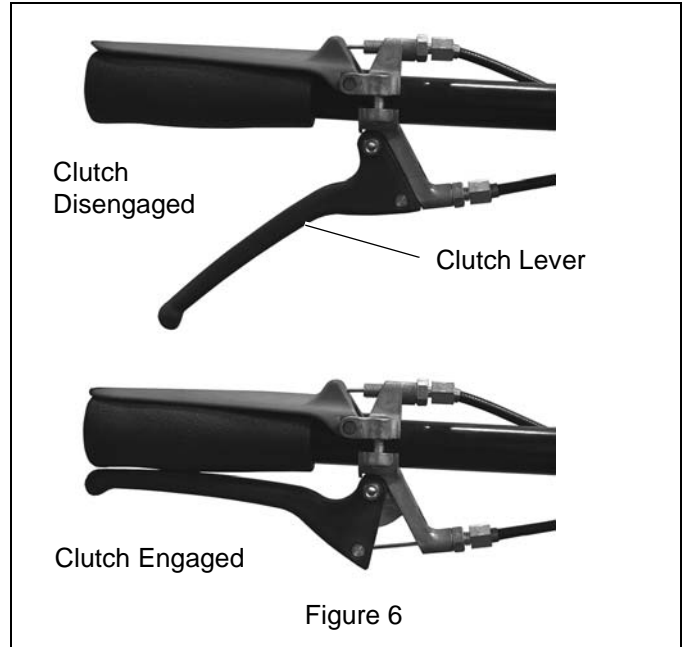
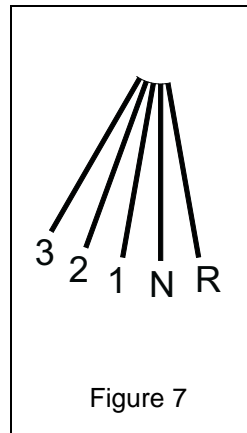


Figure 6

Gear Selection Lever

(Figure 7)



The gear selection lever controls forward and reverse motion of the unit and adjusts the forward travel speed. Select the desired gear based on travel conditions:

3 Fast Forward

2 Medium Forward

1 Slow Forward

N Neutral (no gear selected)

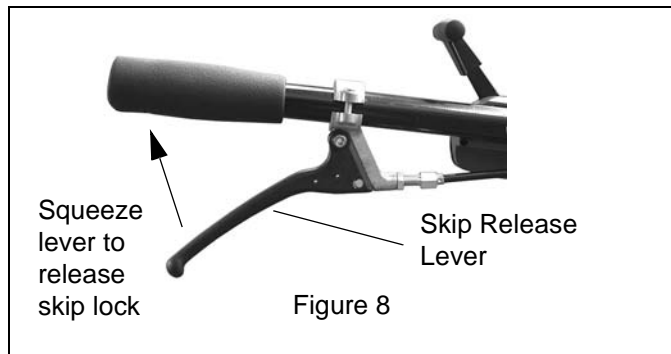
R Reverse

Figure 7

Skip Release Lever

(Figure 8)

Squeeze the skip release lever to release the skip lock. Release the skip release lever to engage the skip lock.



PRE-START



WARNING: AVOID INJURY. Read and understand the entire Safety section before proceeding.

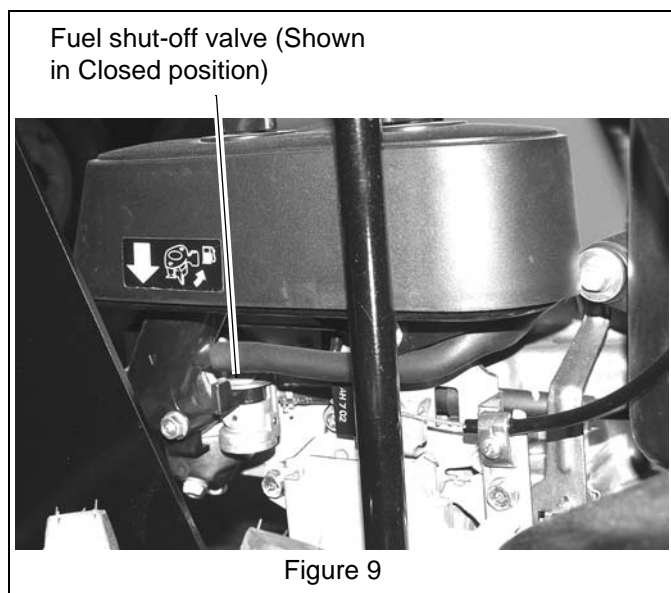
Park unit on level surface. Check and add fuel if required. Check that the engine crankcase oil is full using dipstick. Refer to Engine Manual for detailed instructions.

Fuel Shut-Off Valve

NOTE: Close the fuel shut-off valve before transporting the unit.

The fuel shut-off valve has two positions:

- Closed Position – Use this position to service, transport, or store the unit.
- Open Position – Use this position to operate the unit.



Adding Fuel

1. ALWAYS place unit in open or well-ventilated area.
2. Stop engine and allow to cool.

3. Remove accessory or tilt forward to gain access to fuel tank.
4. Clean fuel cap and surrounding area to prevent dirt from entering fuel tank.
5. Remove cap.

NOTE: DO NOT add oil to fuel. DO NOT use gasohol or gasoline containing alcohol. See Engine Manual for correct type and grade of fuel.

6. Fill fuel tank to within 1/2 in. (1.2 cm) of bottom of filler neck with unleaded gasoline.
7. Replace fuel cap and tighten.
8. ALWAYS clean up any spilled fuel.

STARTING UNIT

1. Move the throttle lever into the Choke position by moving it fully forward.

NOTE: A warm engine requires less choking than a cold engine.

2. Grasp recoil starter handle and pull rope out slowly until it engages.
3. Pull rope with a rapid continuous full arm stroke. Let rope rewind slowly.

NOTE: DO NOT let starter handle snap back against engine.

4. Repeat steps 2 and 3 until engine starts.
5. Move throttle lever to the rear to disengage the choke and set engine speed to idle.
6. Allow engine to warm.
7. Set throttle to desired position based on travel conditions and gear selected.

OPERATION

To Move Forward

1. Select desired speed (1, 2 or 3) with gear selection lever.
2. Press parking brake lever down to handlebar.
3. Gently engage clutch lever.

To Move In Reverse

1. Stop forward travel of unit.
2. Move gear selection lever to reverse (R) position.
3. Press parking brake lever down to handlebar.
4. Check behind for obstacles and ensure that travel path is clear.
5. Gently engage clutch lever.

To Stop Unit

1. Release clutch lever.
2. Release parking brake lever.
3. Reduce engine speed with the throttle control lever.

To Empty Skip

1. Stop unit and release parking brake lever.
2. Release the skip lock by squeezing the skip release lever.
3. Jerk both handlebar handles upwards. The skip will pivot forward and dump the load.

To Reset Skip

1. Pull back on the skip.
2. Engage the skip lock by releasing the skip lock lever.
3. Ensure that skip lock has engaged before moving unit.

MAINTENANCE

MAINTENANCE CHECK LIST

Perform routine checks as outlined below. Correct any problems before using unit.

Component	Daily	Weekly
Skip Lock Spring	X	
Drive Belt Tension		X
Parking Brake Adjustment	X	
Control Cable Condition and Adjustment	X	
Air Cleaner		X
Engine Oil Level *	X	
Tire Pressures		X
Attaching Hardware		X

* SAE 10W-30 oil is recommended for general use. Refer to engine manual for engine maintenance procedures.

Tire Pressure

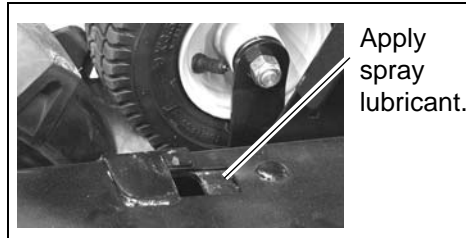
1. Check tire air pressures regularly. Recommended inflation pressure is 30 psi for all tires.



CAUTION: Avoid injury! Explosive separation of tire and rim parts is possible when they are serviced incorrectly:

- Do not attempt to mount a tire without the proper equipment and experience to perform the job.
- Do not inflate the tires above the recommended pressure.
- Do not weld or heat a wheel and tire assembly. Heat can cause an increase in air pressure resulting in an explosion. Welding can structurally weaken or deform the wheel.
- Do not stand in front or over the tire assembly when inflating. Use a clip-on chuck and extension hose long enough to allow you to stand to one side.

LUBRICATION



Apply spray lubricant.

Apply spray lubricant to skip release as necessary. DO NOT use oil or grease.

SERVICE AND ADJUSTMENTS

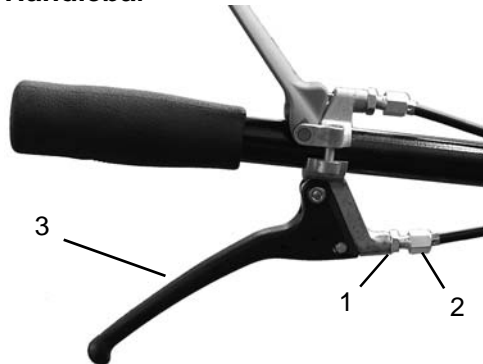
LEVER ADJUSTMENTS

(Figure 10)

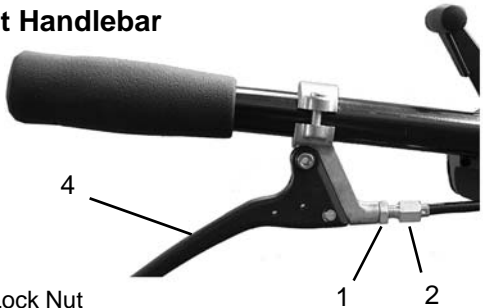
Primary clutch and skip release cable adjustments are made at the levers. To adjust:

1. Loosen lock nut (item 1).
2. Adjust cable by rotating adjustment nut (item 2).
Moving adjustment nut away from the lever will result in earlier engagement. Handlebar
3. Tighten lock nut.

Left Handlebar



Right Handlebar



1. Lock Nut
2. Adjustment Nut
3. Clutch Lever
4. Skip Release Lever

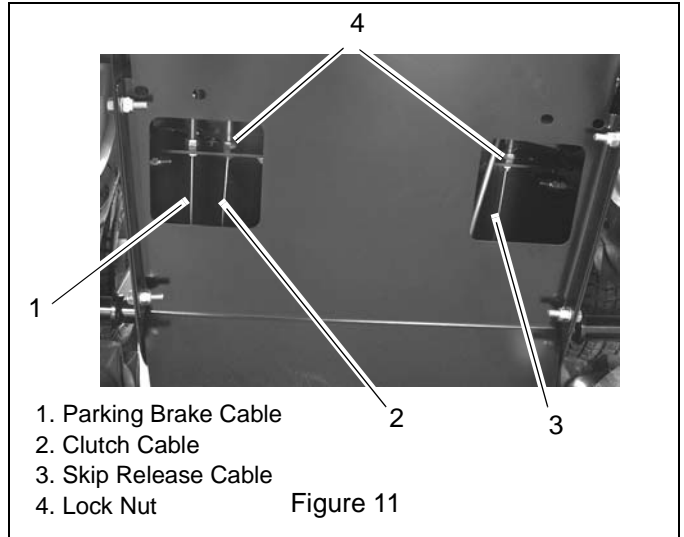
Figure 10

ADDITIONAL ADJUSTMENTS

(Figure 11)

If clutch, or skip release cable adjustments at the levers are insufficient, additional adjustments can be made to the cables under the unit:

1. Place unit in service position (See Service Position in this section).
2. Loosen lock nuts on the cable.
3. Adjust cable to desired position.
4. Tighten lock nuts.



1. Parking Brake Cable
2. Clutch Cable
3. Skip Release Cable
4. Lock Nut

Figure 11

Parking Brake Disc

(Figure 12)

If the cable adjustments do not allow parking brake to fully engage, tighten the lever attachment nut on the transmission.

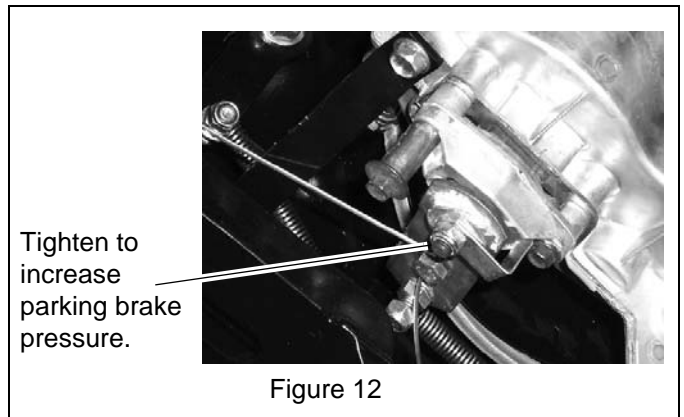


Figure 12

SERVICE POSITION

(Figure 13)

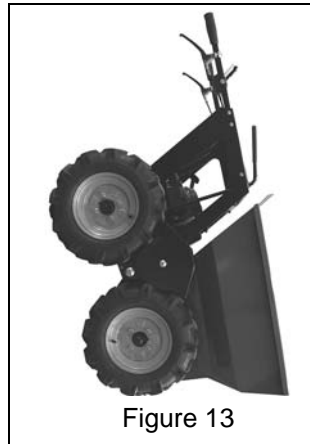


Figure 13

To access the drive belt and cable attachment points place the unit in the service position by tipping it on its front wheels and front skip edge.

Be sure to move the fuel shut-off valve to the closed position before placing in service position (see *Fuel Shut-Off Valve* on page 7).

DRIVE BELT REPLACEMENT

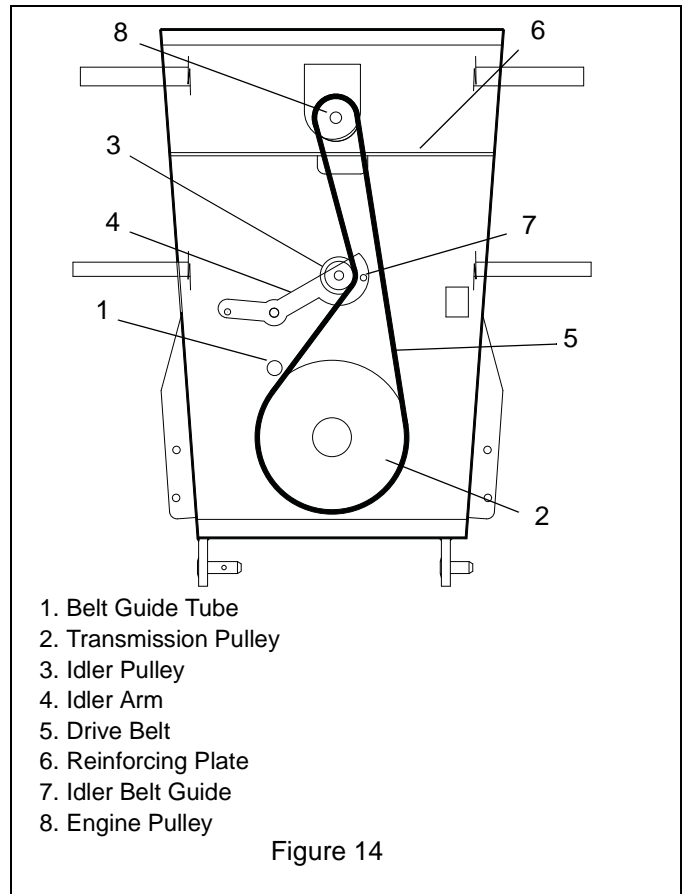
(Figure 14)

Removal

1. Remove two 5/16" hex bolts retaining bottom panel at front of unit.
2. Place unit in service position (see *SERVICE POSITION* above).
3. Remove remaining four 5/16" hex bolts retaining the bottom panel and remove the panel.
4. Loosen the hex nut retaining the belt guide tube (item 1) enough to allow belt to be removed from transmission pulley (item 2).
5. Remove the belt guide bolt (item 7) from the idler arm (item 4).
6. Remove the belt from the unit.

Installation

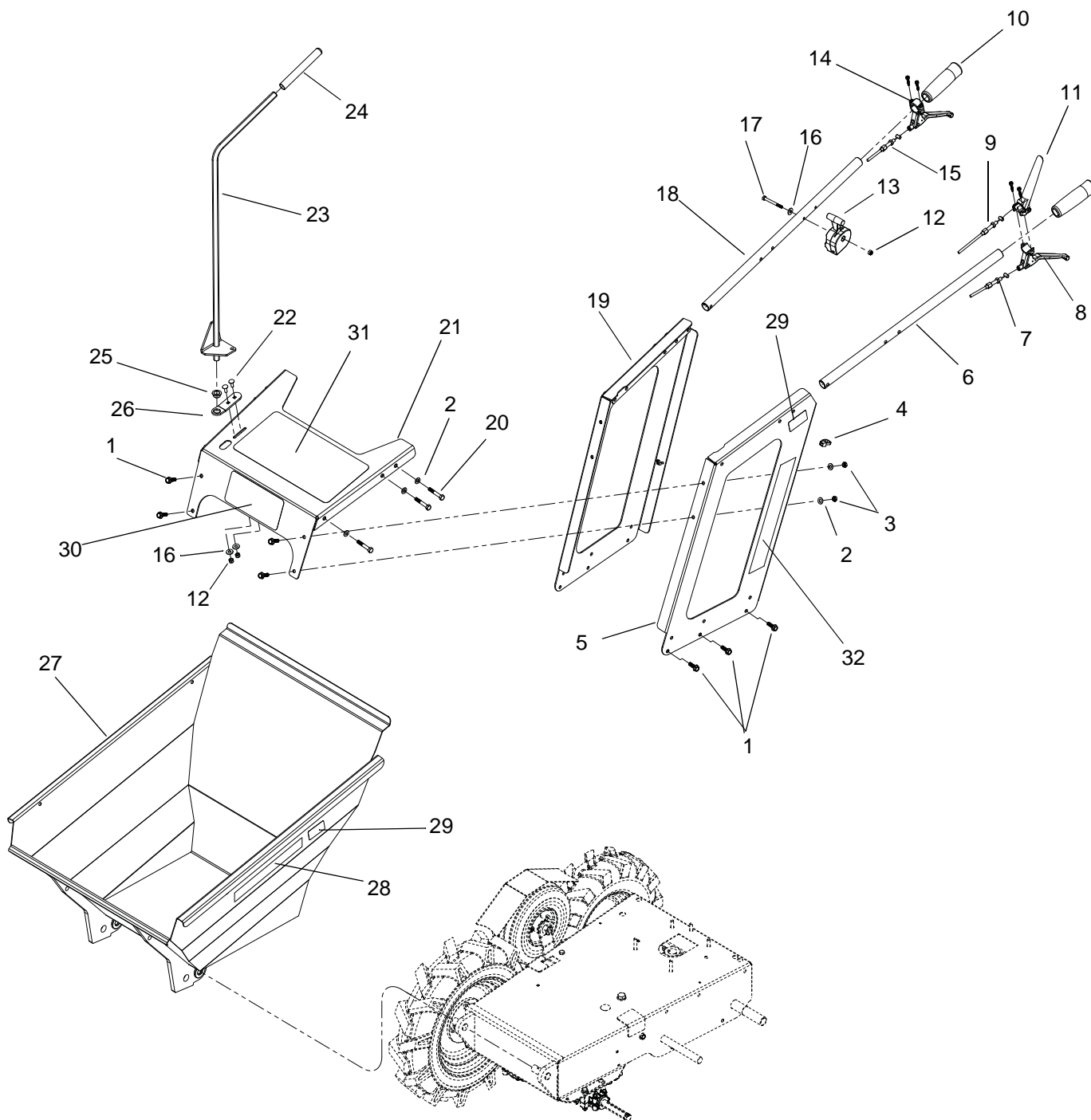
1. Install replacement belt on transmission pulley (item 2).
2. Tighten belt guide tube (item 1).
3. Route belt to right side of idler pulley (item 3). Outer flat portion of belt will contact pulley.
4. Install idler belt guide bolt (item 7).
5. Route belt through opening in reinforcing plate (item 6) and onto engine pulley (item 8).
6. Adjust clutch as needed. See *LEVER ADJUSTMENTS* on page 9.
7. Install bottom panel.



NOTES

PARTS LIST

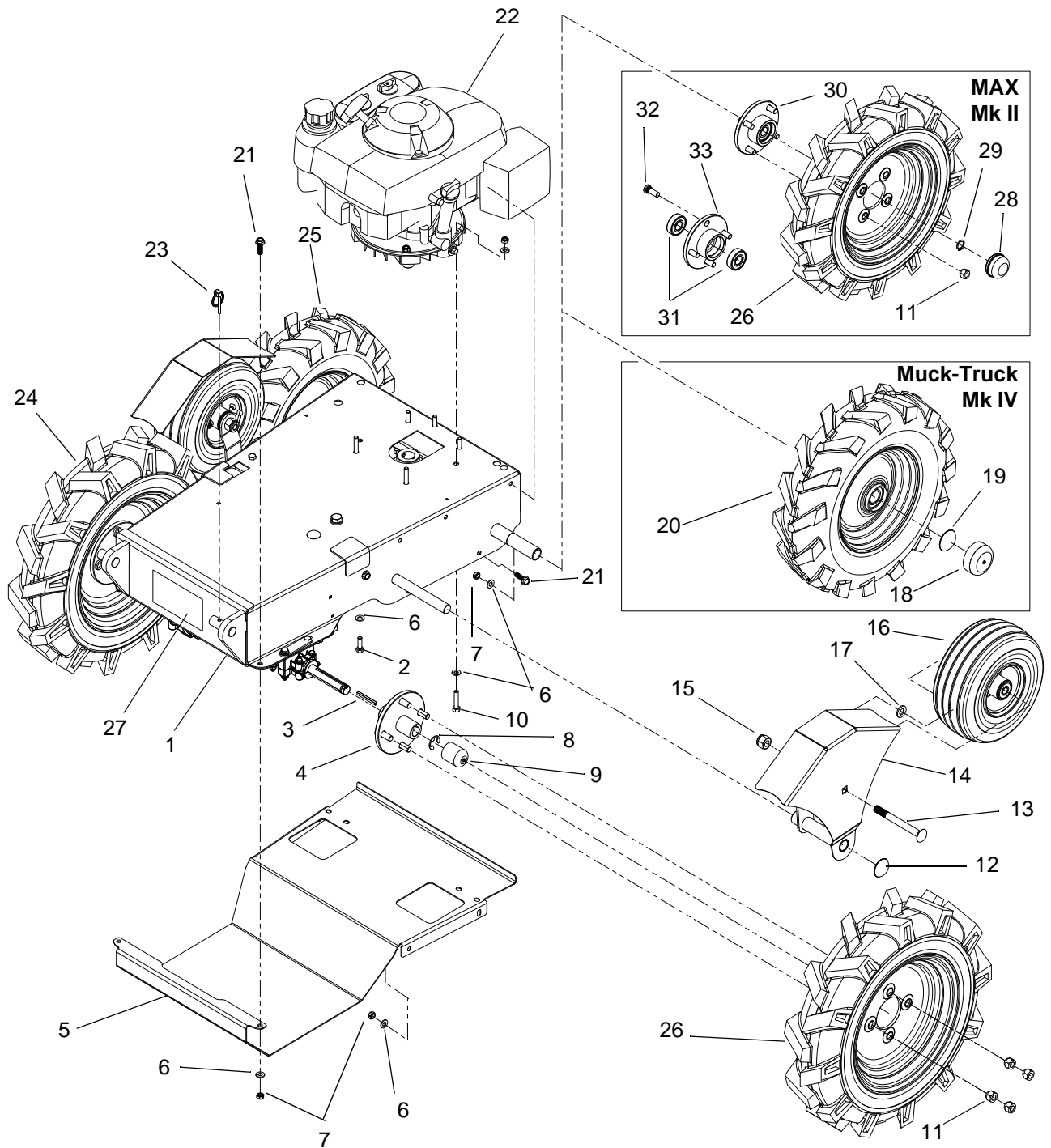
COWLING, CONTROLS & SKIP



COWLING, CONTROLS & SKIP (CONT'D)

Item	Part No.	Qty.	Description
1	00967070	18	Bolt, 5/16-18 x 1.00 Gr. 5
2	00961702	64	Washer, Flat M8 Reg.
3	00967115	40	Locknut, 5/16-18 Nyloc
4	00111910	2	Cable Tie .15 x 8.50
5	03737151	1	Weldment, Cowling Side Left Hand (Muck-Truck Mk IV)
	03795151	1	Weldment, Cowling Side Left Hand (MAX Mk II)
6	03737351	1	Tube, Handle – Left Hand
7	03737227	1	Cable, Clutch Control
8	DP0502015	1	Lever, Control With Screws
9	03737122	1	Cable, Brake
10	DP03	2	Grip, Handle 22 mm x 135 mm
11	DP0502016	1	Lever, Brake Control - Red
12	00964048	3	Locknut, 1/4-20 Nyloc
13	03737111	1	Control, Throttle
14	DP050214	1	Lever, Control, With Clamp and Screws
15	03737121	1	Cable, Latch Skip
16	AA960700	4	Washer, Flat .250 Reg.
17	00960008	1	Bolt Hex, 1/4-20 x 2.50 Gr. 5
18	03737451	1	Tube, Handle – Right Hand
19	03737251	1	Weldment, Cowling Side Right Hand (Muck-Truck Mk IV)
	03795251	1	Weldment, Cowling Side Right Hand (MAX Mk II)
20	00960027	7	Bolt, Hex 5/16-18 x 2.00 Gr. 5
21	03745751	1	Weldment, Plate Cowling Cover (Muck-Truck Mk IV)
	03794951	1	Weldment, Plate Cowling Cover (MAX Mk II)
22	00963095	2	Bolt, 1/4-20 x .750 Gr. 5
23	03737951	1	Weldment, Lever - Fwd/Rev.
24	03737117	1	Grip, Lever Shift .625 x 6.00
25	03737125	1	Bearing, Flange .625
26	03793251	1	Plate, Shifter Bearing Holder
27	03738265	1	Weldment, Skip (Muck-Truck Mk IV)
	03823566	1	Weldment, Skip (MAX Mk II)
28	03737212	2	Decal, Skip – Load Capacity (Muck-Truck Mk IV)
	03737228	2	Decal, Skip – MAX
29	03737223	4	Decal, Maximum Skip Load Capacity (MAX Mk II)
	03737216	2	Decal, Maximum Skip Load Capacity (Muck-Truck Mk IV)
30	03737217	1	Decal, Maintenance
31	03737211	1	Decal, Operation
32	03737214	2	Decal, Muck-Truck Mk IV
	03737224	2	Decal, MAX

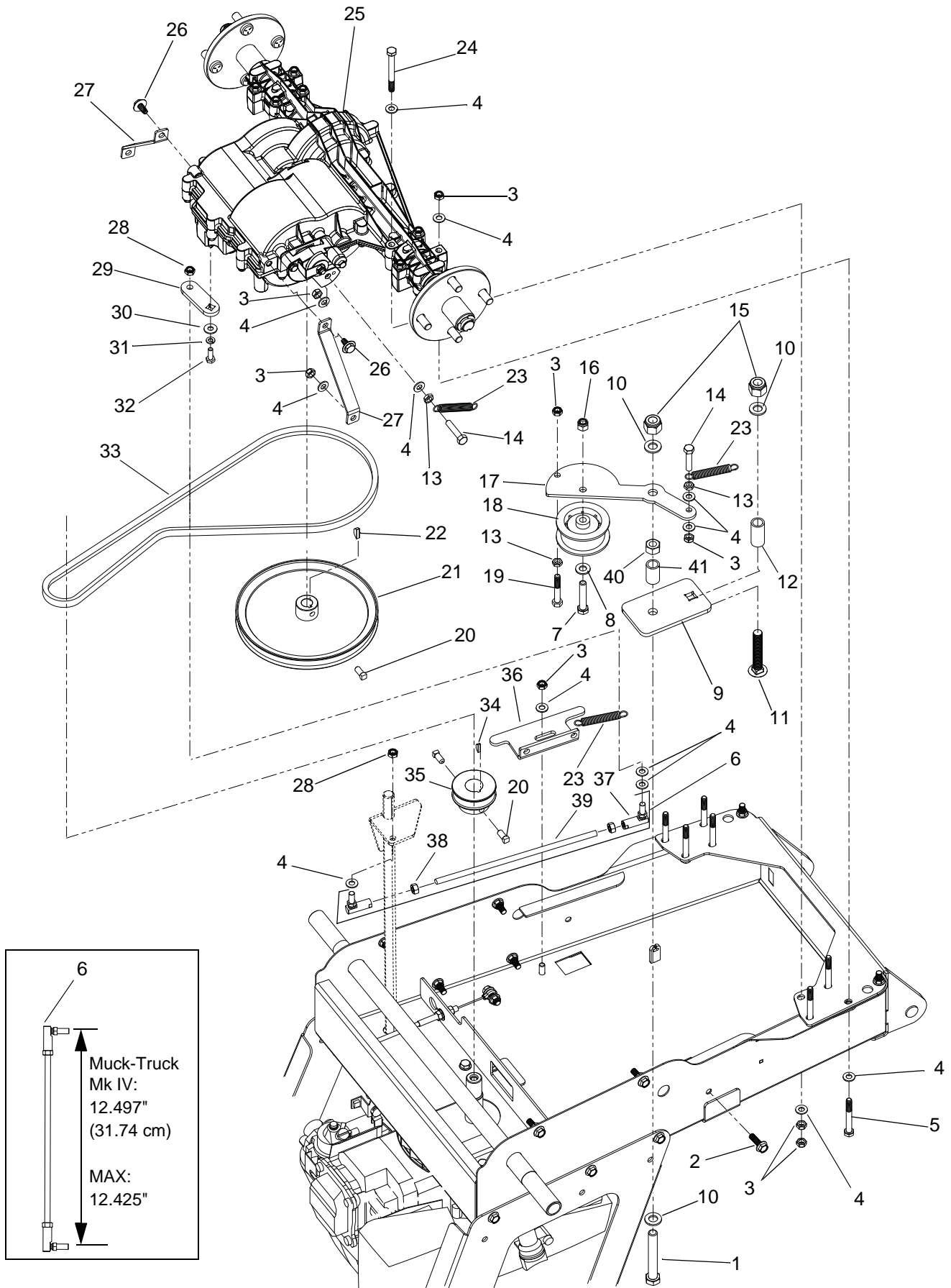
MAIN FRAME & DRIVETRAIN



MAIN FRAME & DRIVETRAIN (CONT'D)

Item	Part No.	Qty.	Description
1	03738951	1	Weldment, Mainframe (Muck-Truck Mk IV)
	03794751	1	Weldment, Mainframe (MAX Mk II)
2	05901330	4	Bolt, Hex 5/16-24 x 1.00
3	06601900	2	Key, Square .188 x 2.00
4	03753100	2	Wheel Assembly, Hub 4 x 4.0 x .437-20
5	03745551	1	Plate, Sump Guard
6	00961702	64	Washer, Flat M8 Reg.
7	00967115	40	Locknut 5/16-18 Nyloc
8	00130886	2	E-Ring .750 x .050
9	DP80	2	Cap, Vinyl 1.25 x 1.625
10	00960025	5	Bolt, Hex 5/16-18 x 1.50 Gr. 5
11	06511400	16	Nut, Wheel Lug .437-20 YWZC
12	DP83	2	Nut, Push Power Drive
13	06200116	2	Bolt, Hex 1/2-13 x 5.00 CRG FLTD Gr. 5
14	03737551	2	Weldment, Power Drive Bracket
15	00964015	4	Locknut 1/2-13 Nyloc
16	03737105	2	Wheel Assembly, Power Drive
17	00961704	6	Washer, Flat M12 Reg.
18	03737226	2	Cap, Vinyl 2.25 x 1.00 (Muck-Truck Mk IV)
19	DP32	2	Nut, Push Rear Wheel (Muck-Truck Mk IV)
20	03737104	1	Wheel Assembly, Left Hand Rear (Muck-Truck Mk IV)
21	00967070	18	Bolt, Hex 5/16-18 x 1.00 Gr. 5
22	03737120	1	Engine, Honda GXV160
23	DP31	1	Pin, Lynch .187
24	03737101	1	Wheel Assembly, Right Hand (Muck-Truck Mk IV)
	03737101	2	Wheel Assembly, Right Hand (MAX Mk II)
25	03737103	1	Wheel Assembly, Right Hand Rear (Muck-Truck Mk IV)
26	03737102	1	Wheel Assembly, Left Hand (Muck-Truck Mk IV)
	03737102	2	Wheel Assembly, Left Hand (MAX Mk II)
27	03737213	2	Decal, Muck Truck Logo (Muck-Truck Mk IV)
28	M135582	2	Cap, Dust (MAX Mk II)
29	00102803	2	Snap Ring .750 x .050
30	03794805	2	Hub Assembly, Rear Wheel (MAX Mk II)
31	00769000	2	Bearing, Ball 20 mm x 47 mm 6204RS
32	00145561	4	Bolt 7/16-20 x 1.22 SPC 5 Y
33	03794851	2	Weldment, Rear Hub

TRANSMISSION AND BELT DRIVE



TRANSMISSION AND BELT DRIVE (CONT'D)


Item	Part No.	Qty.	Description
1	05901336	1	Bolt, Hex 1/2-13 x 3.5 5 FLTD
2	00967070	18	Bolt, Hex 5/16-18 x 1.00 Gr. 5
3	00967115	40	Locknut, 5/16-18 Nyloc
4	00961702	64	Washer, Flat M8 Reg.
5	05952600	7	Bolt, Hex 5/16-18 x 2.50 Gr. 5
6	03737124	1	Shift Rod Assembly (Includes items 37, 38 and 39)
7	00960050	1	Bolt, Hex 3/8-16 x 2.00 Gr. 5
8	00961703	1	Washer, Flat M10 Reg.
9	03742251	1	Plate, Clutch Reinforcing
10	00961704	6	Washer, Flat M12 Reg.
11	06200115	1	Bolt, 1/2-13 x 3.00 CRG FLTD GR5
12	03742651	1	Tube, Belt Guide
13	00967034	3	Nut, Lock 5/16-18 Gr. 5
14	00960025	5	Bolt, Hex 5/16-18 x 1.50 Gr. 5
15	00964015	4	Locknut, 1/2-13 Nyloc
16	00968087	1	Locknut, 3/8-16 Nyloc
17	03741851	1	Plate, Clutch Lever
18	00102330	1	Pulley, Composite 3.00 With Hub
19	00960027	7	Bolt, Hex 5/16-18 x 2.00 Gr. 5
20	00967343	3	Set Screw, 5/16-18 x .625 Square Cup *
21	03737110	1	Pulley, Transmission
22	06600300	1	Key, Woodruff .188 x .75 x .313
23	DP18	3	Spring, Extension .437 x .055 x 3.00
24	00960031	1	Bolt, Hex 5/16-18 x 3.00 Gr. 5
25	03737115	1	Transmission, Peerless
26	05901329	2	Bolt, Flange 5/16-18 x .625 Self-Tapping
27	MT03020	2	Bar, Torque Stay
28	06500511	2	Locknut, 5/16-24 CP Nyloc
29	03742551	1	Plate, Shifter
30	AA960700	4	Washer, Flat .250 Reg.
31	AA960600	1	Washer .250 Med. Spring Lock
32	00967135	1	Bolt, Hex 1/4-28 x .750 Gr. 5
33	DP0502018	1	Belt, 4L-510
34	06600900	1	Key, Woodruff .156 x .625 x .25
35	03753400	1	Pulley Engine
36	03742351	1	Plate, Latching Catch
37	03737119	2	Ball Joint 5/16-24
38	00967338	2	Nut, Hex 5/16-24 Gr. 5 Left Hand
39	03737602	1	Rod, Shift Linkage
40	00960504	1	Nut, Standard Hex 1/2-13 Gr. 5
41	03746251	1	Spacer, Clutch Pivot

* Torque to 15 – 20 lbf-ft.

ACCESSORIES

TOW HITCH KIT – 795710

Assembly and Installation



WARNING: AVOID INJURY. Read and understand the entire *Safety* section before installing and using accessories.

SAFETY RULES

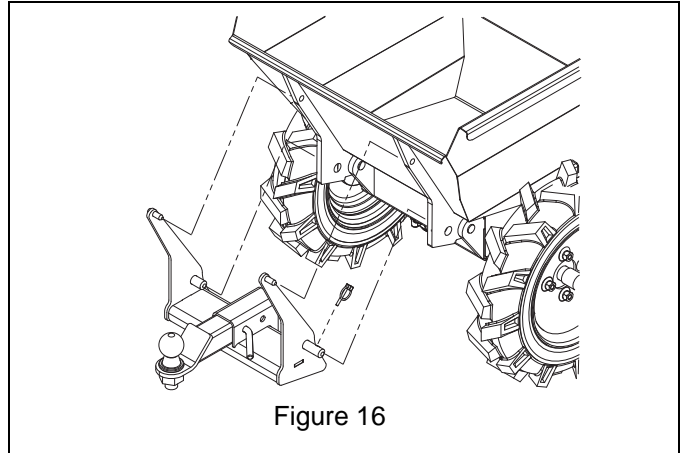
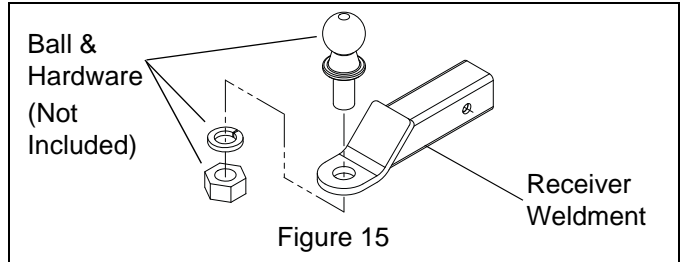
- Always wear gloves when handling accessories.
- Standard skip must be mounted to unit to attach tow hitch kit.
- Make sure that the skip release is fully engaged before placing a load on the tow hitch.
- A loaded tow hitch can cause the skip to drop slightly if the skip-release lever is squeezed. Do not squeeze the lever when there is a load on the hitch.

Assembly

1. Install trailer ball onto receiver weldment and tighten hardware (Figure 15).

NOTE: Receiver weldment has a 1" (25.4 mm) hole.

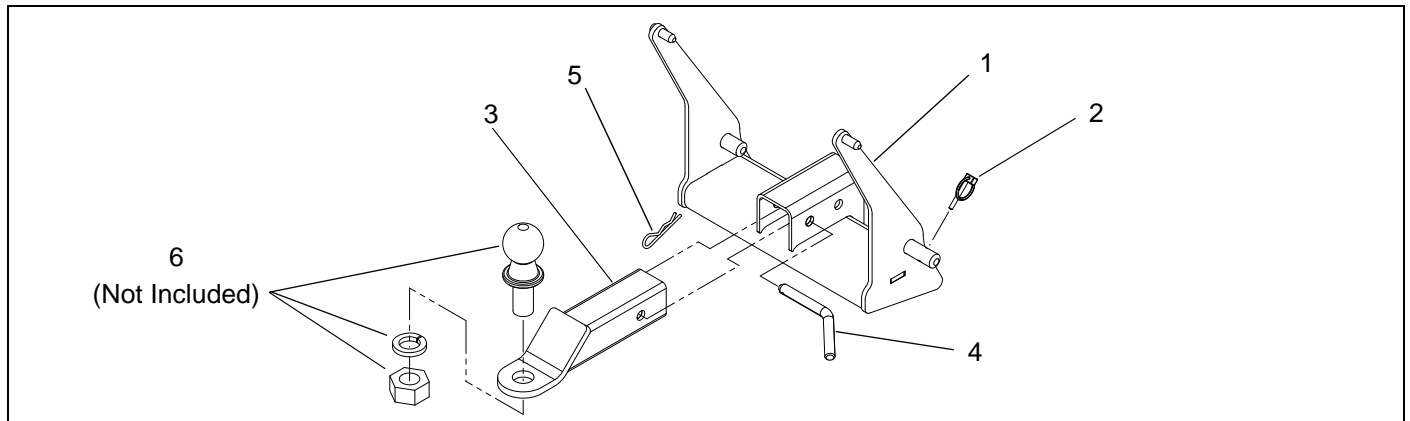
2. Insert receiver into tow hitch weldment to desired depth and secure with receiver hitch pin and hair pin.



Installation

1. Insert four tow hitch weldment pins into four holes in reinforcement bars on front of skip. (Figure 16)
2. Secure with lynch pin.


Parts List



Item	Part No.	Qty.	Description
1	03767451	1	Weldment, Tow Hitch
2	00967212	1	Pin, Lynch .188 x 1.25"
3	03826051	1	Weldment, Receiver
4	03826100	1	Pin, Receiver Hitch
5	00967003	1	Pin, Hair .125 x 2.56, 7/16-.75"
6	N/A	1	Trailer Ball (Not Included)

SKIP EXTENSION KIT – 795712

Assembly and Installation



WARNING: AVOID INJURY. Read and understand the entire *Safety* section before installing and using accessories.

SAFETY RULES

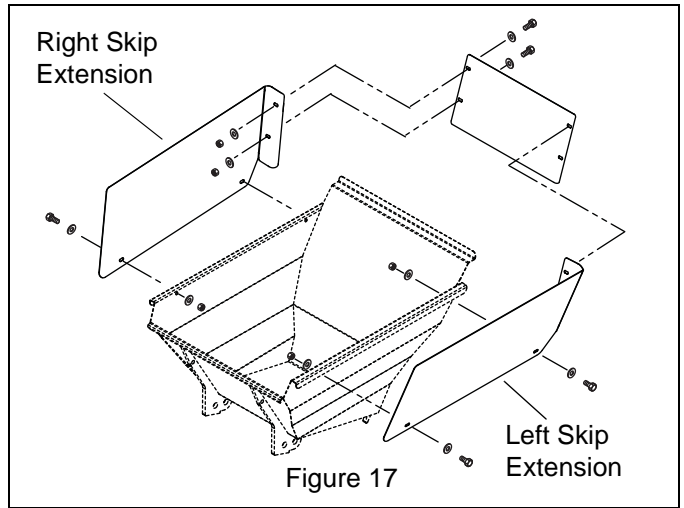
- Always wear gloves when handling accessories.
- Skip extensions do not increase weight capacity of unit, only volume capacity. **DO NOT** exceed maximum weight capacity.
- Extension kit is designed to fit Muck-Truck Mk IV and MAX Mk II skips.

Installation

(Figure 17)

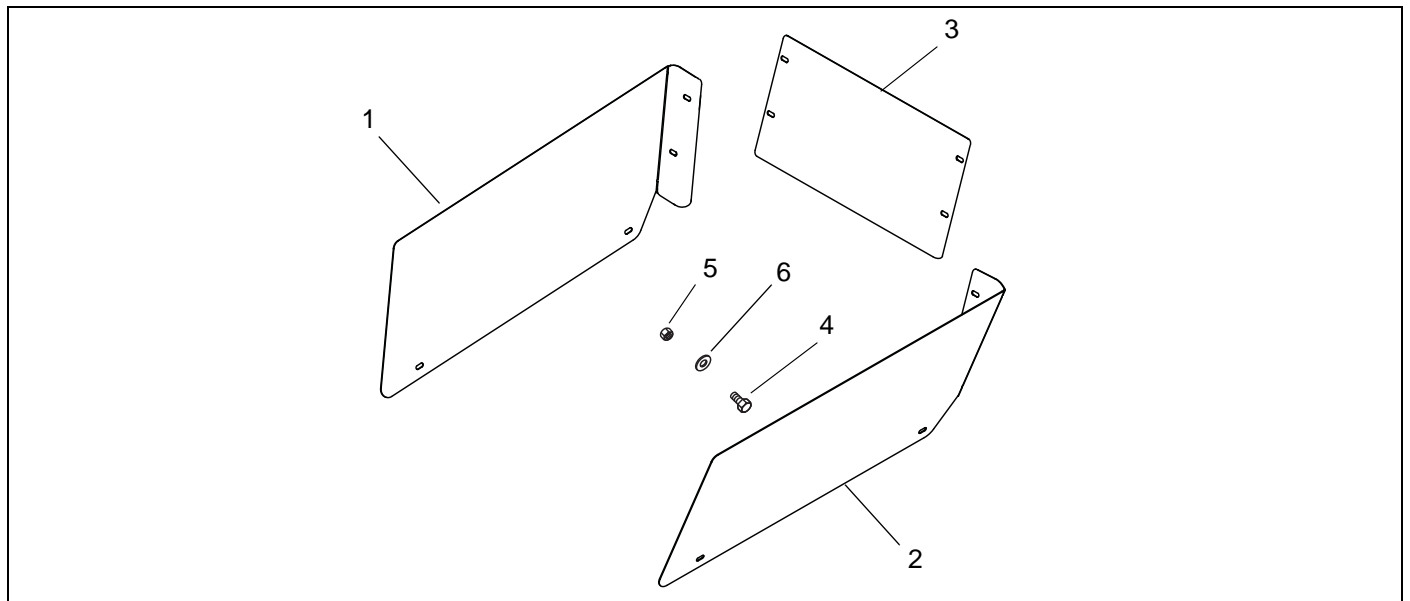
1. Attach right extension to right side of skip with two 5/16 x 3/4" hex bolts, four 5/16" flat washers and two 5/16" locking nuts. Do not fully tighten.

2. Attach left extension to left side of skip with two 5/16 x 3/4" hex bolts, four 5/16" flat washers and two 5/16" locking nuts. Do not fully tighten.
3. Attach center extension to side extensions with four 5/16 x 3/4" hex bolts, eight 5/16" flat washers and four 5/16" locking nuts.



4. Align all panels and tighten hardware.


Parts List



Item	Part No.	Qty.	Description
1	03769351	1	Weldment, Right Hand Extension
2	03769951	1	Weldment, Left Hand Extension
3	03769251	1	Weldment, Center Section
4	00960022	8	Bolt, Hex 5/16-18 x .75"
5	00967115	8	Nut, Locking Nyloc 5/16"
6	00961702	16	Washer, Flat M8

WHEEL EXTENSION KIT – 795713

Assembly and Installation

 **WARNING: AVOID INJURY.** Read and understand the entire *Safety* section before installing and using accessories.

SAFETY RULES

- Always wear gloves when handling accessories.
- Remove load from unit before installing wheel extension kit.
- Install wheel extension kit on front wheels.
- If inner wheel is removed during installation it will be necessary to deflate the tires to reinstall.

Installation

1. Check front tire and kit tire pressures. See *Tire Pressure* on page 8.
2. Remove one wheel lug nut and retain.
3. Install one extension on stud (see Figure 18). Tighten to finger tight or slightly loose. Repeat for remaining wheel studs on one side of unit. Do not fully tighten.

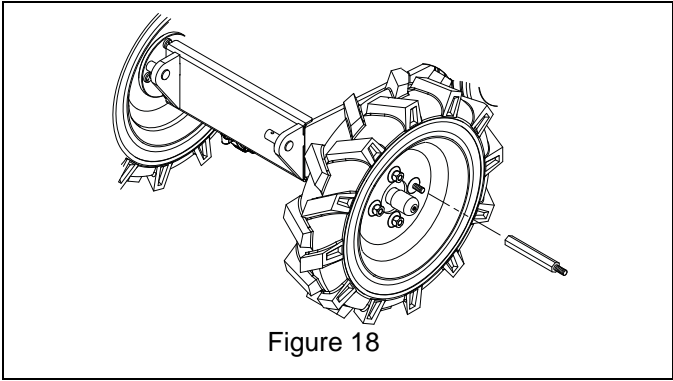


Figure 18

4. Install outer wheel onto extensions. Make sure that tire tread faces same direction as existing tire (see Figure 19).
5. Install wheel lug nuts and tighten finger tight.

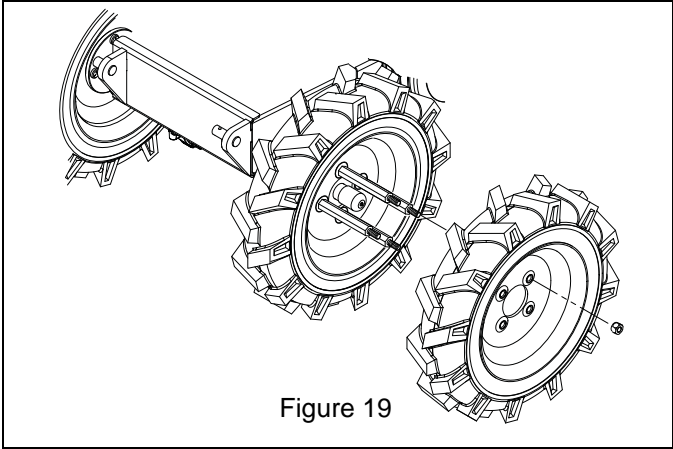
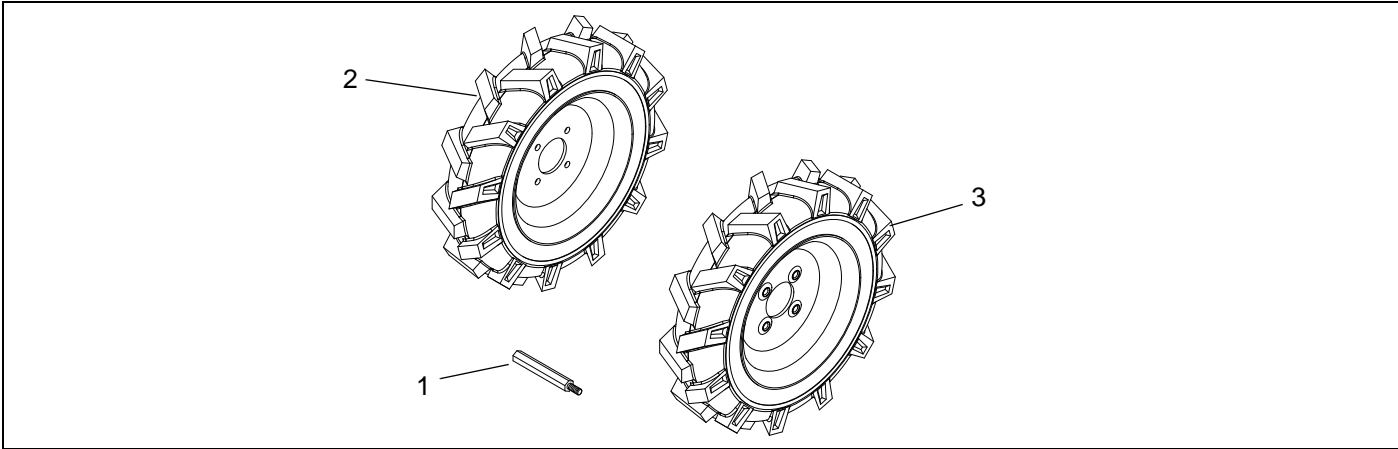


Figure 19

6. Using an open-ended wrench, tighten inner extensions to 35 – 45 lbf-ft.
7. Tighten outer wheel lug nuts to 35 – 45 lbf-ft.
8. Repeat steps 2 – 7 on other side.

Parts List



Item	Part No.	Qty.	Description
1	03769500	8	Extension, Double Wheel
2	03737101	1	Wheel Assembly, Right Hand
3	03737102	1	Wheel Assembly, Left Hand

NOTES

SNOW PLOW KIT – 795714

Assembly and Installation



WARNING: AVOID INJURY. Read and understand the entire *Safety* section before installing and using accessories.

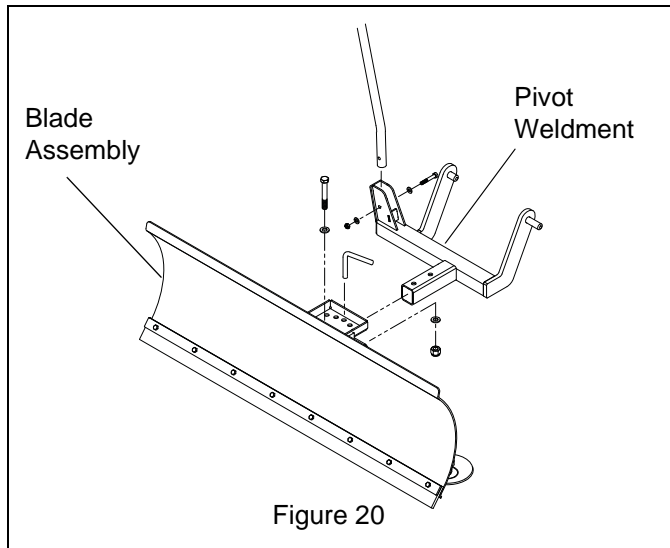
SAFETY RULES

- Always wear gloves when handling accessories.
- The weight of the snow plow can cause the skip to drop slightly against the lock plate if the skip-release lever is squeezed. Do not squeeze the lever with snow plow attached.
- Use caution when releasing snow plow from transport position and when lowering to surface.
- It may be necessary to obtain assistance with assembly and installation.

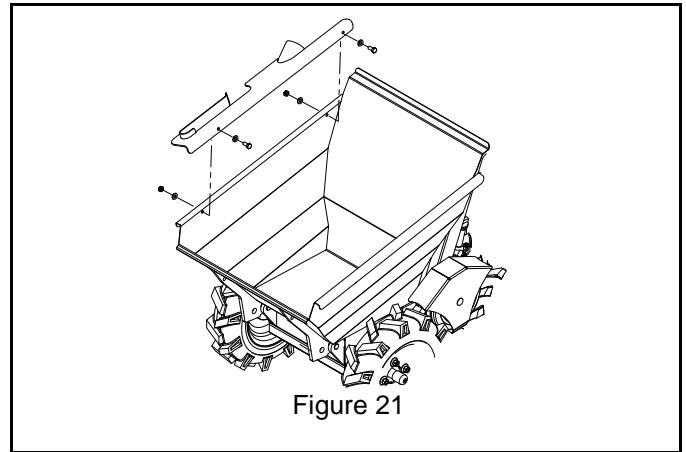
Assembly

(Figure 20)

1. Insert snow plow blade assembly into snow plow pivot weldment and attach with 1/2 x 3.50" hex bolt, two 1/2" washers and 1/2" hex nut.
2. Mount lift handle to pivot weldment and fasten with 5/16 x 2.50" hex bolt, two 5/16" flat washers and 5/16" hex nut.
3. Insert angle pin into assembly to keep blade stationary.



4. Mount lift latch assembly to skip with two 5/16 x 3/4" hex bolts, four 5/16" flat washers and two 5/16" hex nuts (Figure 21).



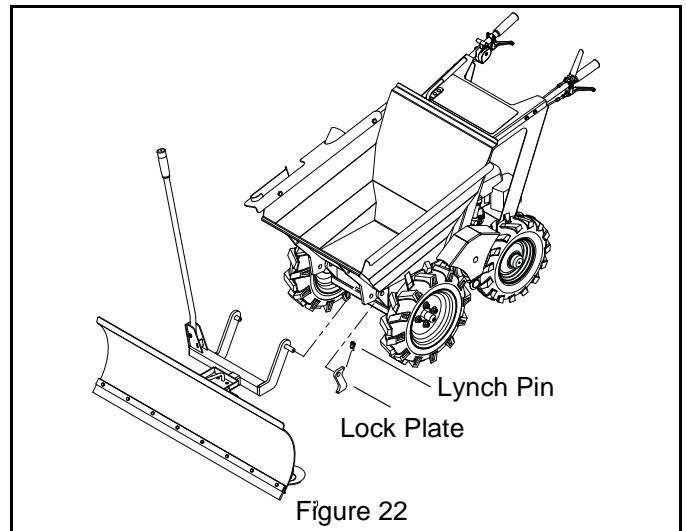
Installation And Use

NOTE: Standard skip must be installed on unit to attach snow plow kit.

(Figure 22)

1. Insert snow plow assembly mount pins into bottom holes on front of skip. Install lock plate on left pin with point facing rearward and secure with lynch pin.

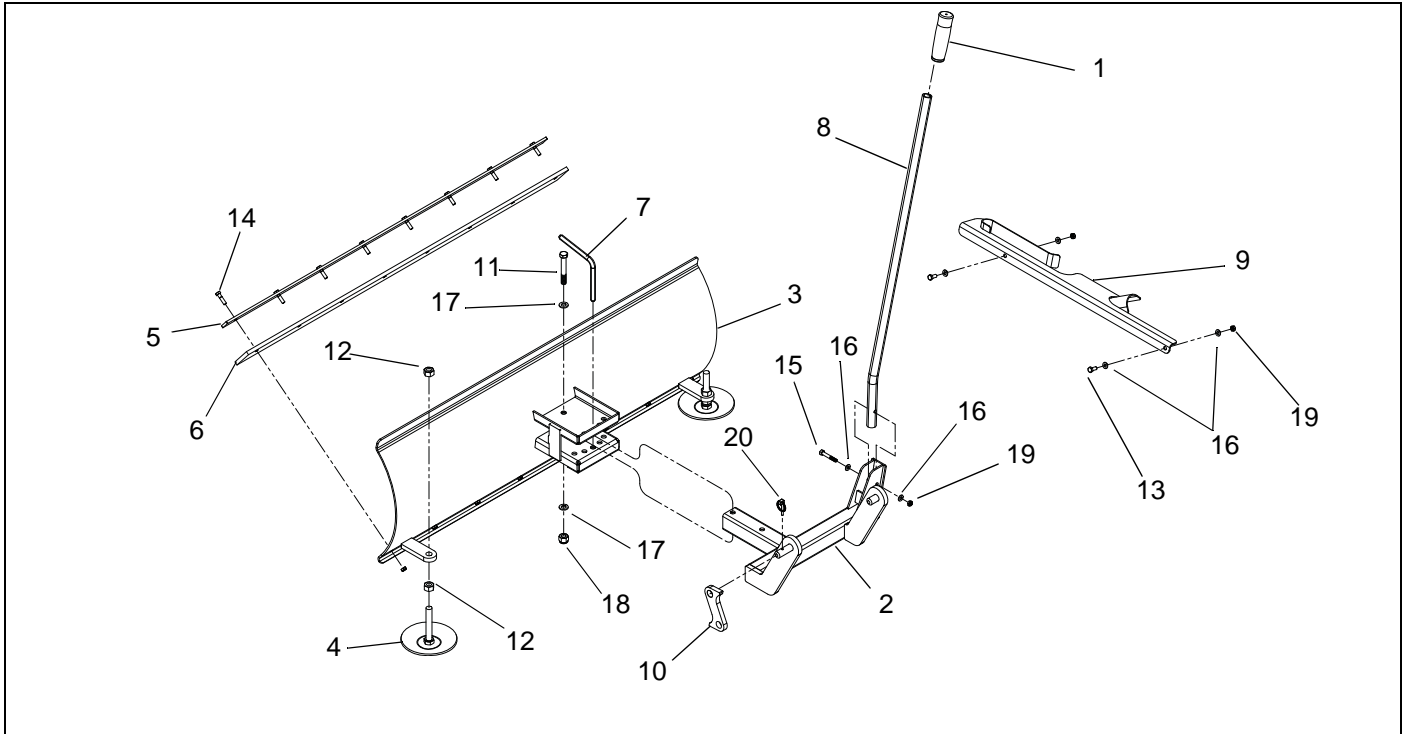
IMPORTANT: Lock plate must be installed or snow plow assembly could separate from unit.



2. Place unit on flat level surface and adjust left and right skid weldments to obtain desired plow cut height. Loosen locking nuts on skids, rotate skid to raise or lower and then tighten locking nuts. Make sure that plow is level from side to side.
3. Adjust plow to desired angle and insert moldboard angle pin.
4. Use plow lift handle to raise plow for transport and lower for use.
5. Place lift handle in forward slot on latch assembly to use plow. Pull back on lever and place lift handle in rear slot for transport.

SNOW PLOW KIT – 795714 (CONT'D)


Parts List



Item	Part No.	Qty.	Description
1	03737116	1	Grip, Handle 22 mm x 135 mm
2	03772165	1	Weldment, Snow Plow Pivot
3	03772265	1	Weldment, Moldboard
4	03772465	2	Weldment, Skid
5	03772565	1	Plate, Scraper Clamp
6	03772402	1	Scraper, 48" Poly
7	03772403	1	Pin, Angle
8	03772665	1	Handle, Lift Latch
9	03772765	1	Weldment, Lift Latch
10	03838400	1	Plate, Lock
11	00960122	1	Bolt, Hex 1/2-13 x 3.50
12	00960505	4	Nut, Standard Hex 5/8-11
13	00960022	2	Bolt, Hex 5/16-18 x .75"
14	00960024	8	Bolt, Hex 5/16-18 x 1.25"
15	00960027	1	Bolt, Hex 5/16-18 x 2.00"
16	00961702	6	Washer, Regular Flat M8
17	00961704	2	Washer, Regular Flat M12
18	00964015	1	Nut, Locking 1/2-13 Nyloc
19	00967115	11	Nut, Locking 5/16-18 Nyloc
20	00967212	1	Pin, Lynch .188 x .25

RAMP KIT – 795715

Assembly and Installation

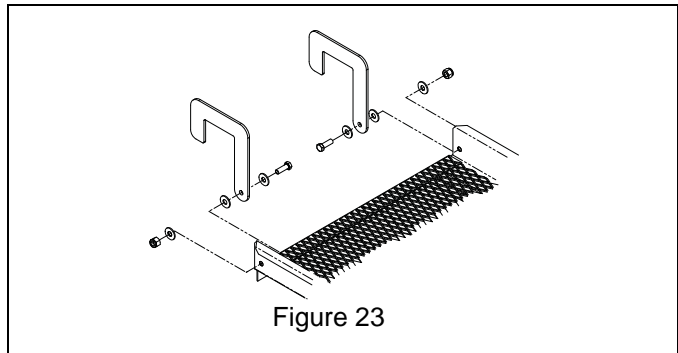
 **WARNING:** Ramp has a maximum capacity of 992 lb. (450 kg) DO NOT overload.

SAFETY RULES

- Always wear gloves when handling ramp components.
- Approximate ramp weights are 77 lb. (35 kg) for the upper section and 44 lb. (20 kg) for the lower section. It may be necessary to obtain assistance with handling, assembly and disassembly.
- Erect ramp on a flat, level surface.
- Ensure that the ramp is used in a safe manner.
- Keep area around ramp free of debris.
- Ramp capacity is 992 lb. (450 kg) DO NOT overload.


Assembly

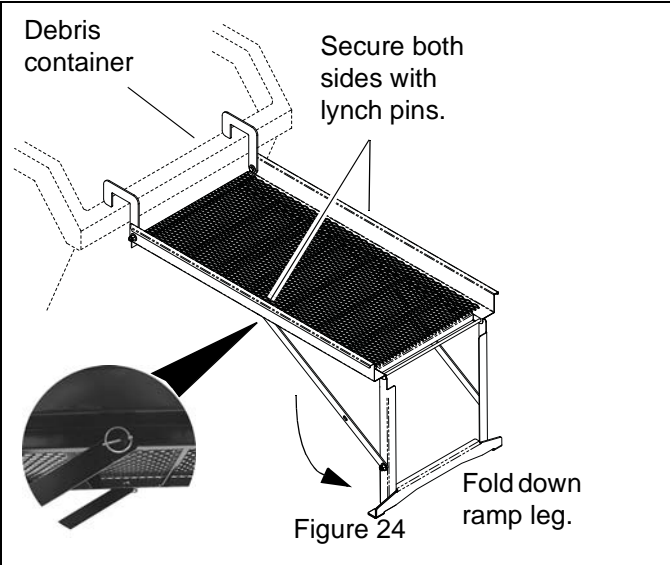
Remove hardware attaching ramp hooks to the ramp platform and retain. Attach ramp hooks to the front of ramp platform using two 1/2 x 1-1/2" hex bolts, six 1/2" flat washers, and two 1/2" lock nuts just removed (Figure 23).



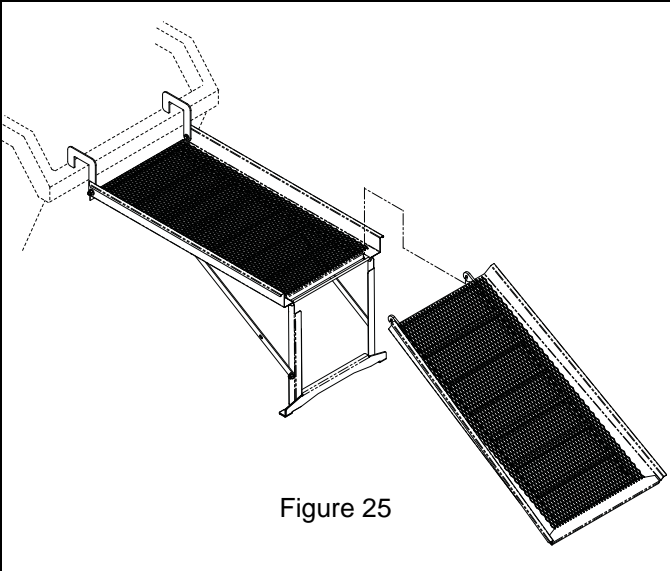
Installation And Use

1. Remove lynch pins securing ramp support straps to the ramp leg and retain.
2. Unfold ramp leg to open position and attach ramp support straps to pins on ramp platform. Secure both sides with lynch pins (Figure 24).
3. Attach ramp platform hooks to edge of debris container.

 **CAUTION:** Make sure that upper ramp assembly is securely attached to container and ramp leg is on flat level surface.



4. Attach the lower ramp section to the support bar on the upper ramp assembly (Figure 25).

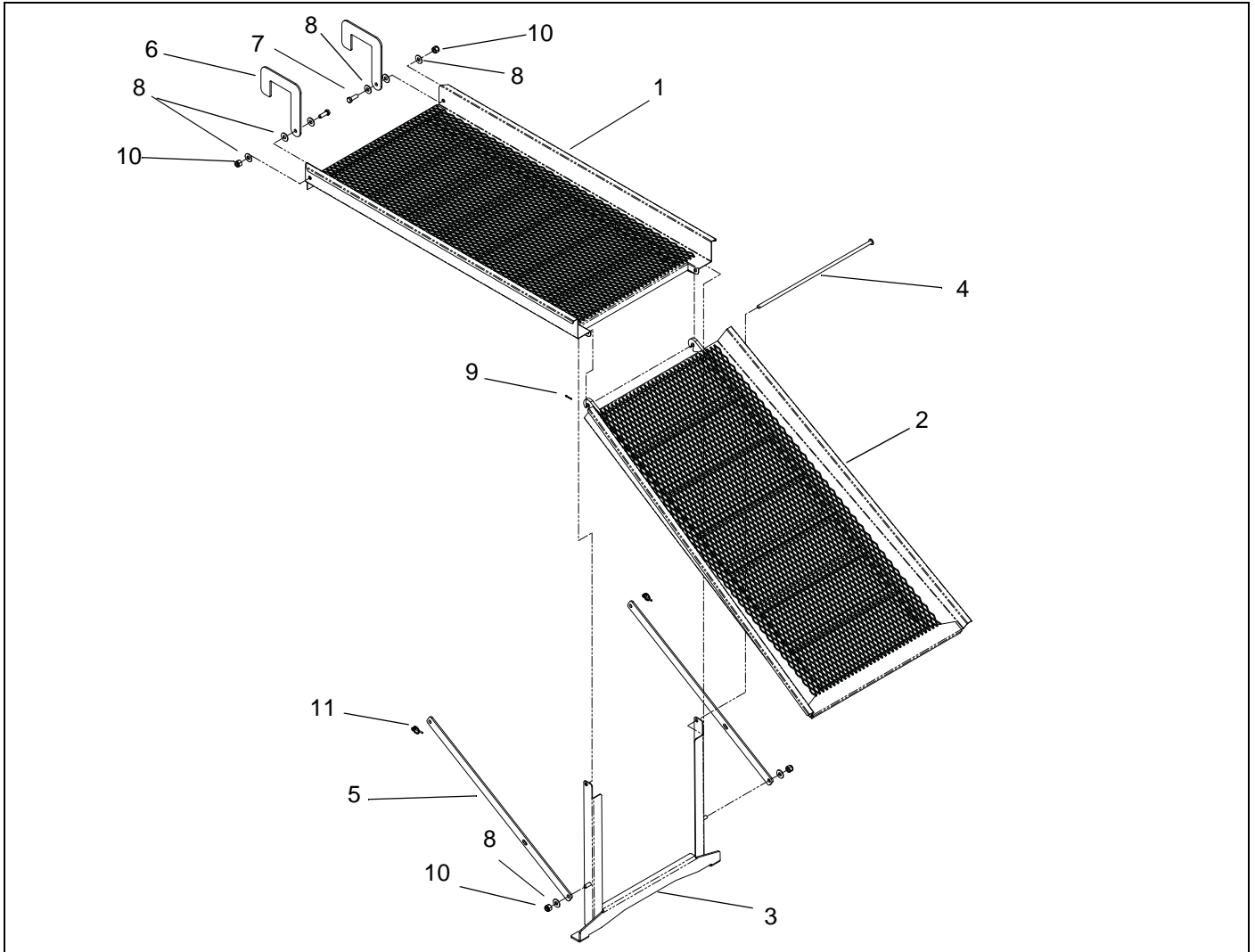


To store for transport:

1. Remove lower ramp section.
2. Remove upper ramp from debris container.
3. Remove lynch pins from support strap pins and fold support straps and ramp leg into transport position.
4. Install lynch pins to retain support straps.

RAMP KIT – 795715 (CONT'D)


Parts List



Item	Part No.	Qty.	Description
1	03774351	1	Weldment, Ramp Platform
2	03774451	1	Weldment, Ramp Lower
3	03774551	1	Weldment, Ramp Leg
4	03774651	1	Weldment, Ramp Pin
5	03774751	2	Strap, Ramp Support
6	03774951	2	Plate, Ramp Hook – US
7	00960114	2	Bolt, Hex 1/2-13 x 1.50"
8	00960704	8	Washer, Regular Flat .50"
9	00962017	1	Pin, Cotter .125 x 1.00"
10	00964015	4	Nut, Lock 1/2-13" Nyloc
11	00967212	2	Pin, Lynch .188 x 1.25"

FLAT BED KIT – 795718

Assembly and Installation



WARNING: AVOID INJURY. Read and understand the entire *Safety* section before installing and using accessories.

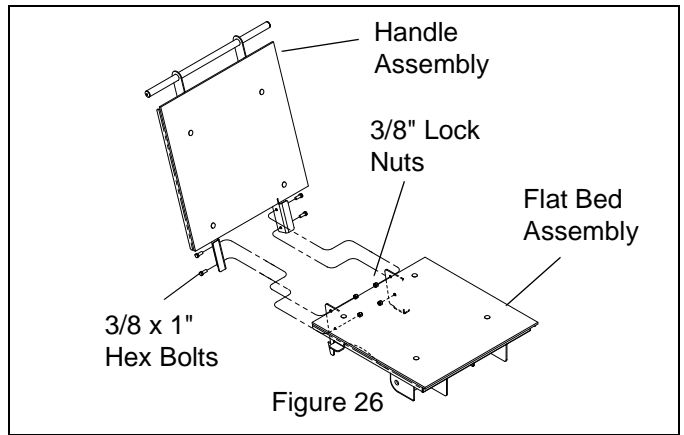
SAFETY RULES

- Always wear gloves when handling accessories.
- Approximate flatbed weight is 55 lb. (25 kg). It may be necessary to obtain assistance with assembly and installation.

Assembly

(Figure 26)

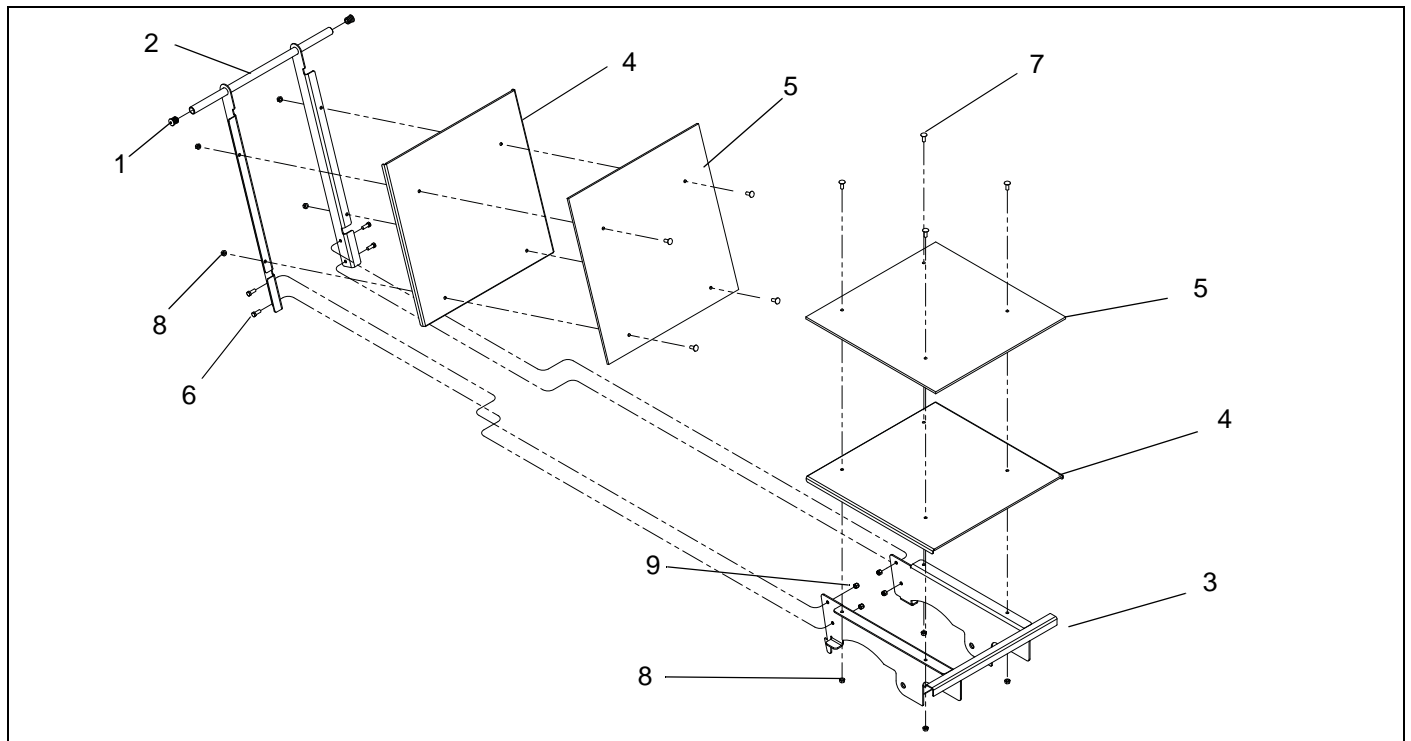
Attach handle assembly to the flat bed assembly using four 3/8 x 1" hex bolts and four 3/8" lock nuts. See Figure 26.



Installation And Use

1. Remove lynch pin securing existing attachment to unit and remove accessory.
2. Attach flat bed accessory to front hinge pins on unit and secure with lynch pin.
3. To dump contents, squeeze skip-release lever and lift up on unit handlebars.


Parts List



Item	Part No.	Qty.	Description
1	00180639	2	Plug .875" Hole
2	03775151	1	Weldment, Handle
3	03775251	1	Weldment, Flat Bed
4	03775851	2	Plate, Bed
5	03775900	2	Sheet, Rubber
6	00960046	4	Bolt, Hex 3/8-16 x 1.00"
7	00963019	8	Bolt, Carriage 3/8-16 x 1.00"
8	00964016	8	Nut, Locking Top Flange 3/8-16
9	00968087	4	Nut, Locking Nyloc 3/8-16

BULK SKIP KIT – 795719

Assembly and Installation



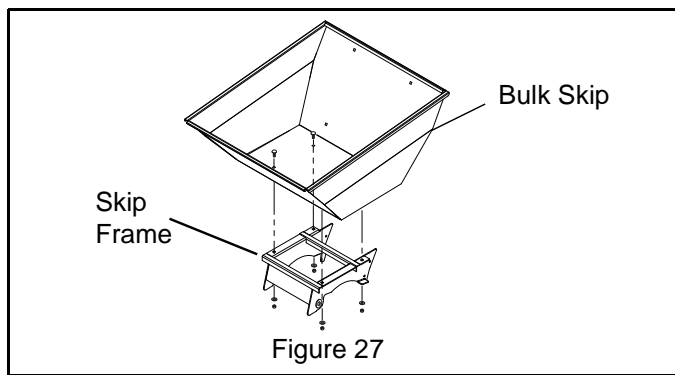
WARNING: AVOID INJURY. Read and understand the entire *Safety* section before installing and using accessories.

SAFETY RULES

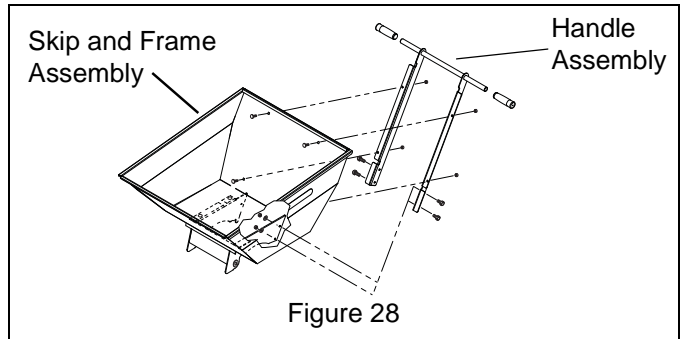
- Always wear gloves when handling accessories.
- Bulk skip does not increase weight capacity of unit, only volume. **DO NOT** exceed maximum weight capacity.

Assembly

1. Attach skip frame to bottom of skip using four 3/8 x 1" carriage bolts, four M8 washers and four 3/8" lock nuts. Do not fully tighten. See Figure 27.



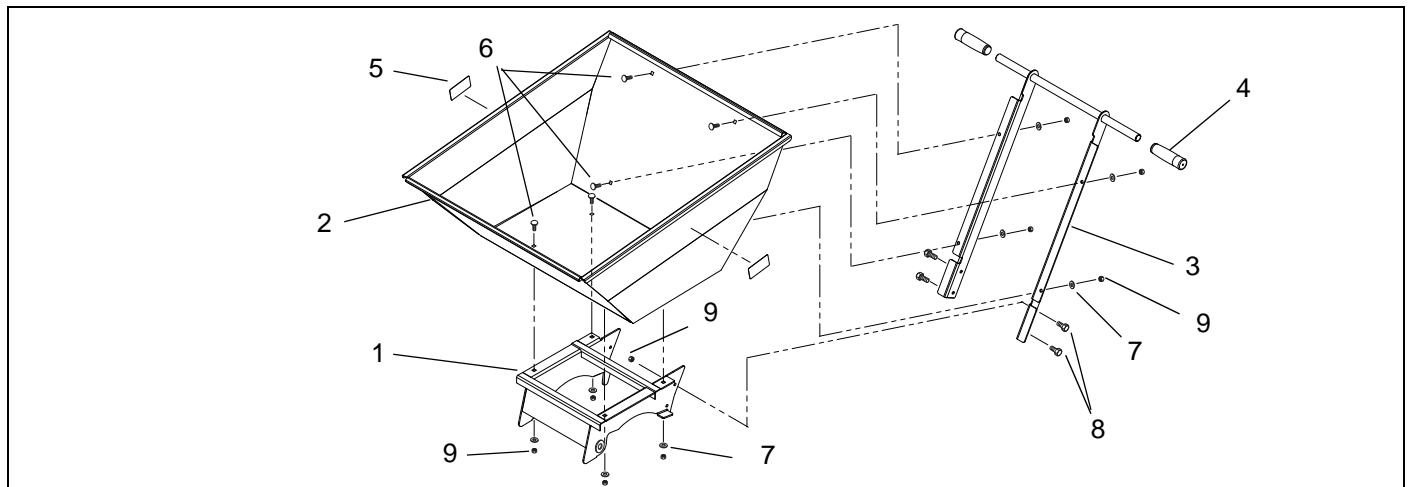
2. Attach handle assembly to the skip assembly using four 3/8 x 1" carriage bolts, four M8 washers and four 3/8" lock nuts. Do not fully tighten. See Figure 28.
3. Attach handle assembly to skip frame with four 3/8 x 1" hex bolts, and four lock nuts.
4. Align components and tighten hardware.



Installation And Use

1. Remove lynch pin securing existing attachment to unit and remove attachment.
2. Attach bulk skip to front hinge pins and secure with lynch pin.

Parts List



Item	Part No.	Qty.	Description
1	03775551	1	Weldment, Bulk Skip Frame
2	03775465	1	Weldment, Bulk Skip
3	03775151	1	Weldment, Handle
4	03737116	2	Grip, Handle 22 mm x 1.35 mm
5	03737216	2	Decal, Maximum Load
6	96301900	8	Bolt, Carriage 3/8-16 x 1.00"
7	00961703	8	Washer, Flat Regular M10
8	00960046	4	Bolt, Hex 3/8-16 x 1.00
9	00968087	12	Nut, Locking 3/8-16 Nyloc

WARRANTY

Serial Number:

Warranty is 12 calendar months from date of sale for Consumers and 90 days for units used in the Commercial Sector. Under the following conditions:

- Routine maintenance completed in accordance with Owners Manual.
- Returned defective parts are approved by Niche Product Sales LLC.
- Machine is not abused or operated with known faults or lack of maintenance.
- Repairs are in accordance with Niche Product Sales LLC.

AT AN AGREED JOB RATE

Only defective parts are covered, and not wearable components which require replacement because of normal wear, for example puncture, chipped paint, dented skip etc. Niche Product Sales LLC will not be held liable for any consequential losses.

PERSONAL CUSTOMER GUARANTEE STATEMENT

If there is any component, or components, manufactured by Niche Product Sales LLC Ltd. which are found to be defective within 12 months from the date of purchase (or 90 days in the case of a machine used for hire/commercial purposes), Niche Product Sales LLC. will replace the faulty component(s) free of charge, provided they are notified immediately upon date of failure.

THE FOLLOWING ARE NOT COVERED BY THIS GUARANTEE

1. Engines – Engines are guaranteed by their respective manufacturers.
2. A machine which has been subject to operation in excess of recommended capacities, misuse, negligence or accident, or has been altered or modified in a manner which has not been authorized by Niche Product Sales LLC.
3. Wear parts – belts, cables etc.
4. Transportation Charge – to and from the warranty repair site.

Niche Product Sales LLC operates a policy of continual development and reserves the right to alter product specifications without giving prior notice.

Niche Product Sales LLC
586 Mercantile Place
Port Saint Lucie, FL 34986
www.mucktruck.com